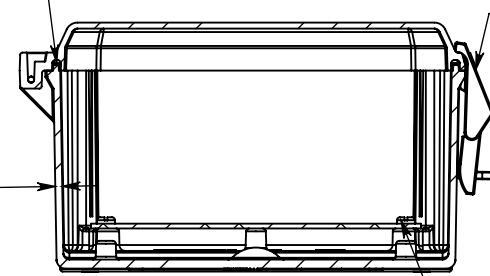


STAINLESS STEEL HINGE PIN

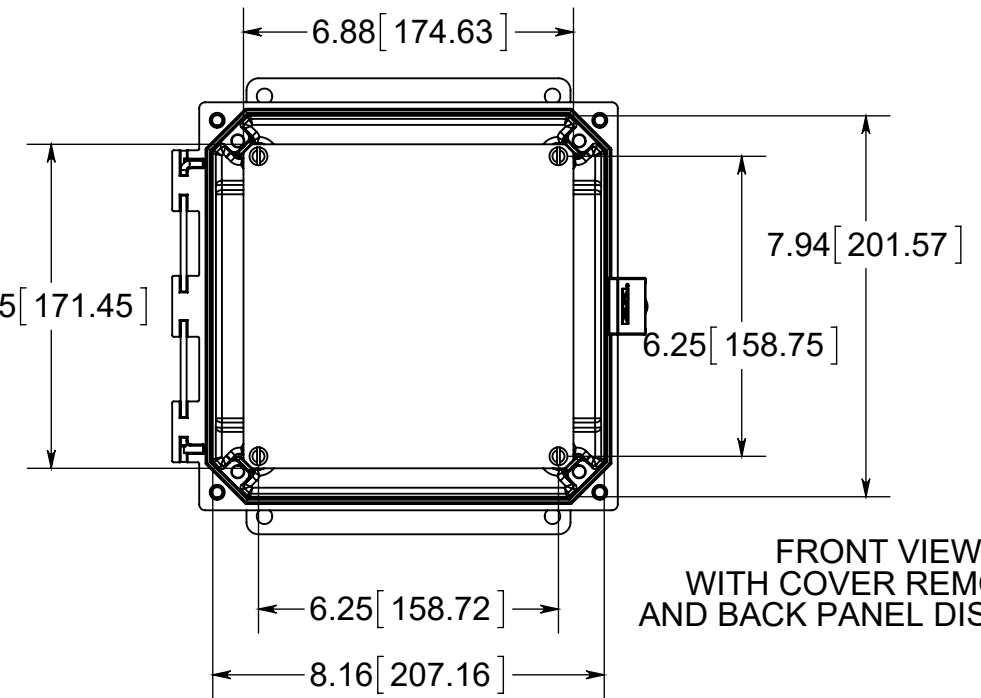
CLOSED CELL NEOPRENE GASKET

.14 [3.68]



NON-METALLIC LOCKABLE SNAP LATCH LOCATED ON CENTER

(4) EACH #10-32 BRASS INSERTS AND PLATED CARBON STEEL TRUSS SCREW



FRONT VIEW WITH COVER REMOVED AND BACK PANEL DISPLAYED

MATERIAL:  
BOX - INJECTED POLYCARBONATE  
COVER - INJECTED POLYCARBONATE

# ELHOR Technologies Inc.

DRAWN: PCK	TITLE: WattsOn-Mark II -S Metering Kit Dimensions	CODE:
CHECKED: CKK		
DATE: 2021/08/30	FILE: ..\W2KIT-S-Dimensions.svg	SHEET: 1 of 1